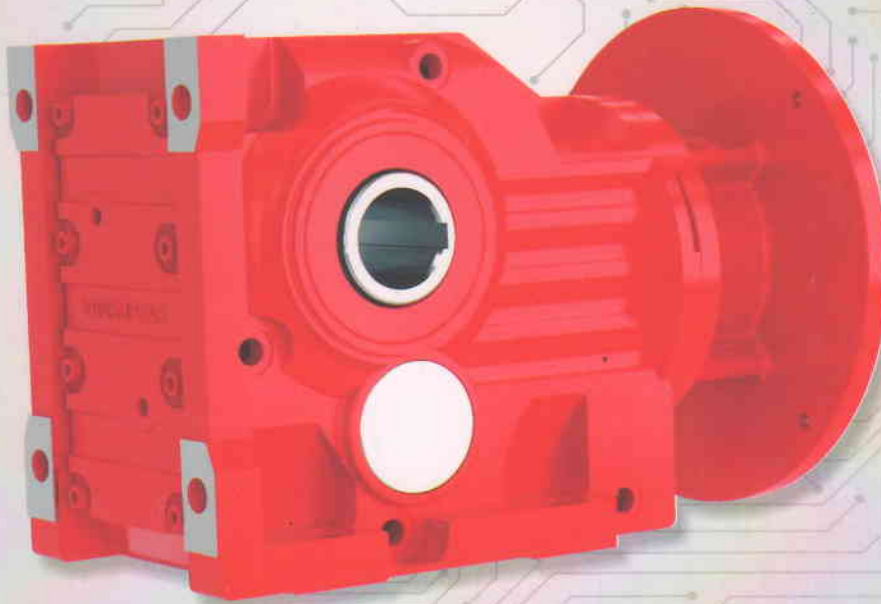




GEARZE

Delivering the correct transmission every time..

TK SERIES



TK Series

www.gearlinc.co.in

Gear Unit Specifications

Input power rating and maximum torque

Size	38	48	58	68	78	88	98	108	128	158	168	188
Structure	TK TKA TKF TKAF TKAZ TKAT TKAB											
Input power rating (kw)	0.18-3.0	0.18-3.0	0.18-5.5	0.18-5.5	0.18-11	0.18-22	0.18-30	0.18-45	0.18-90	0.18-200	0.18-90	0.18-200
Ratio	5.36-106.38	5.81-131.87	6.57-145.15	7.14-144.79	7.22-192.18	7.19-192.27	8.95-175.47	8.74-141.93	8.68-146.07	12.66-150.03	17.35-164.44	17.97-178.37
Maximum torque	200	400	600	820	1550	2700	4300	8000	13000	18000	32000	50000

Gear unit weight

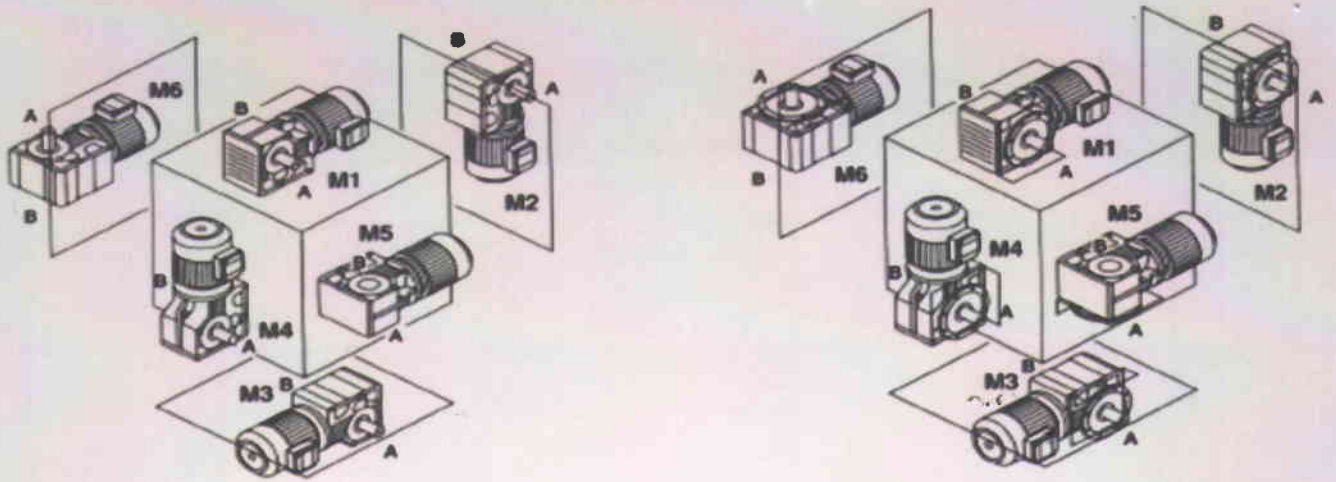
Size	38	48	58	68	78	88	98	108	128	158	168	188
Weight	11	20	27	33	57	85	130	250	380	610	1015	1700

The weights are mean values, only for references.

M: +91 96876 10381/+91 99099 10387/+91 90998 05138 T: +91 79 2970 1965

E: sales@gearlinc.co.in W: www.gearlinc.co.in

Mounting Position



Position of the motor thermal box



I



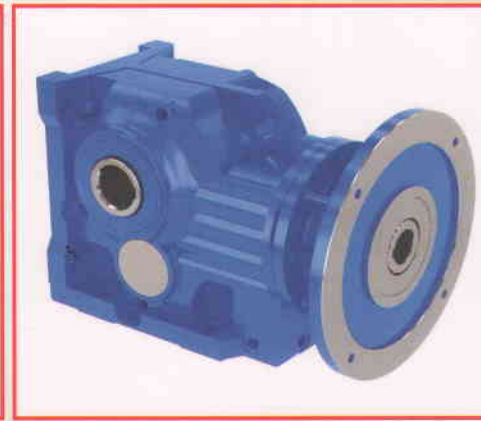
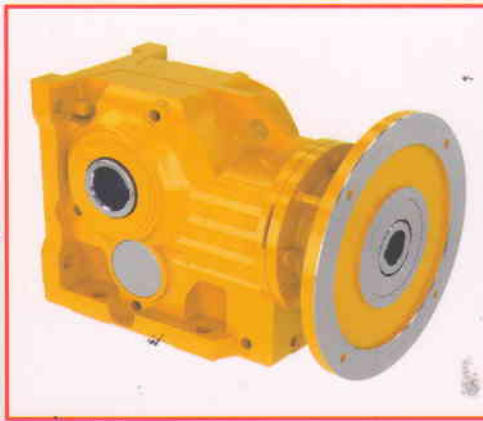
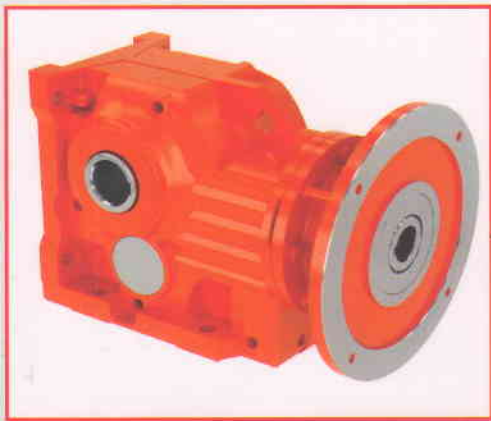
II



III



IV



GEARZE

Delivering the correct transmission every time..

GEARLINC SYSTEMS : B - 305, Solitaire; Nr. Divya Bhaskar Press, S.G.Highway, Ahmedabad - 380051. Gujarat, India.

M: +91 96876 10381/+91 99099 10387/+91 90998 05138 T: +91 79 2970 1965

E: sales@gearlinc.co.in W: www.gearlinc.co.in