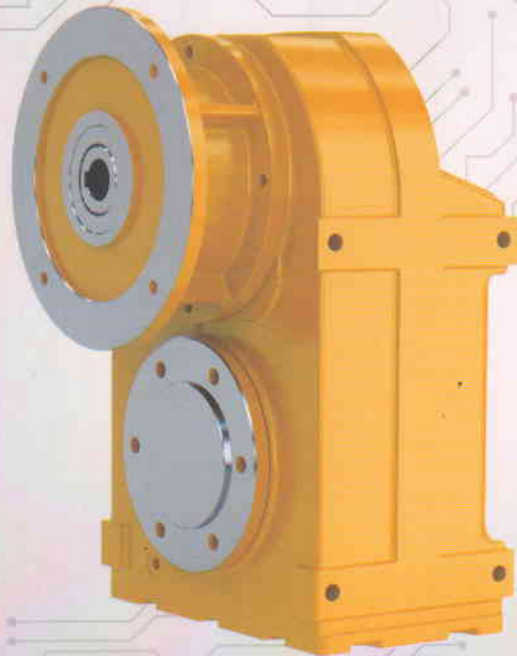




**GEARZE**

Delivering the correct transmission every time..



**TF Series**

[www.gearlinc.co.in](http://www.gearlinc.co.in)

**Gear Unit Specifications**

**Input power rating and maximum torque**

Size	38	48	58	68	78	88	98	108	128	158
Structure	TF TFA TFF TFAF TFAZ									
Input power rating (kw)	0.18-3	0.18-3	0.18-5.5	0.18-5.5	0.18-11	0.18-22	0.18-30	0.18-45	0.18-90	0.18-200
Ratio	3.51-128.51	5.06-189.39	5.18-199.70	4.21-228.99	4.20-271.92	4.12-270.68	4.68-276.64	5.20-255.25	4.63-172.33	12.07-270.18
Maximum torque	200	400	600	820	1500	3000	4300	7840	12000	18000

**Gear unit weight**

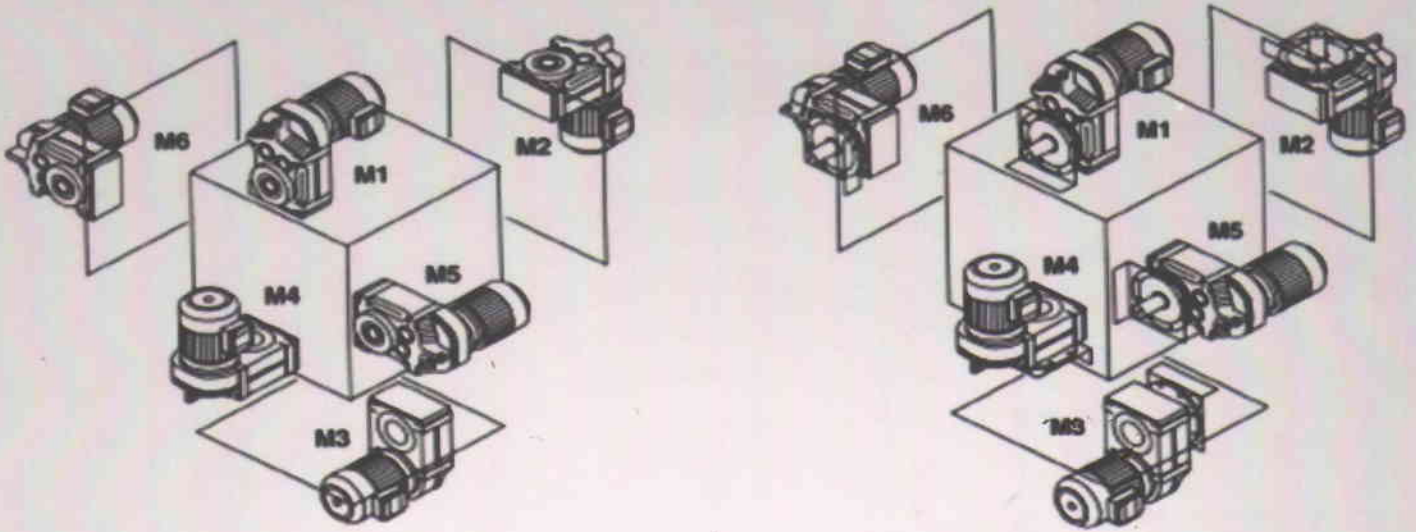
Size	38	48	58	68	78	88	98	108	128	158
Weight	13	18	34	55	90	150	260	402	700	950

The weights are mean values, only for references.

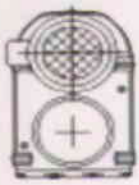
M: +91 96876 10381/+91 99099 10387/+91 90998 05138 T: +91 79 2970 1965

E: [sales@gearlinc.co.in](mailto:sales@gearlinc.co.in) W: [www.gearlinc.co.in](http://www.gearlinc.co.in)

## Mounting Position



## Position of the motor thermal box



I



II



III



IV



GEARLINC SYSTEMS : B - 305, Solitaire, Nr. Divya Bhaskar Press, S.G.Highway, Ahmedabad - 380051. Gujarat, India.

M: +91 96876 10381/+91 99099 10387/+91 90998 05138 T: +91 79 2970 1965  
E: sales@gearlinc.co.in W: www.gearlinc.co.in